
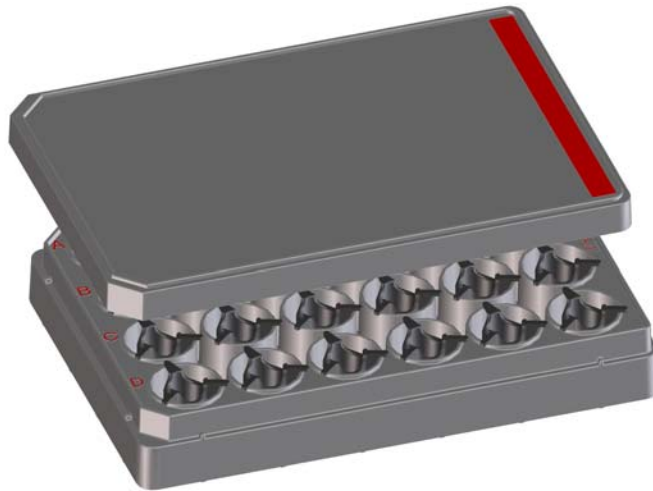
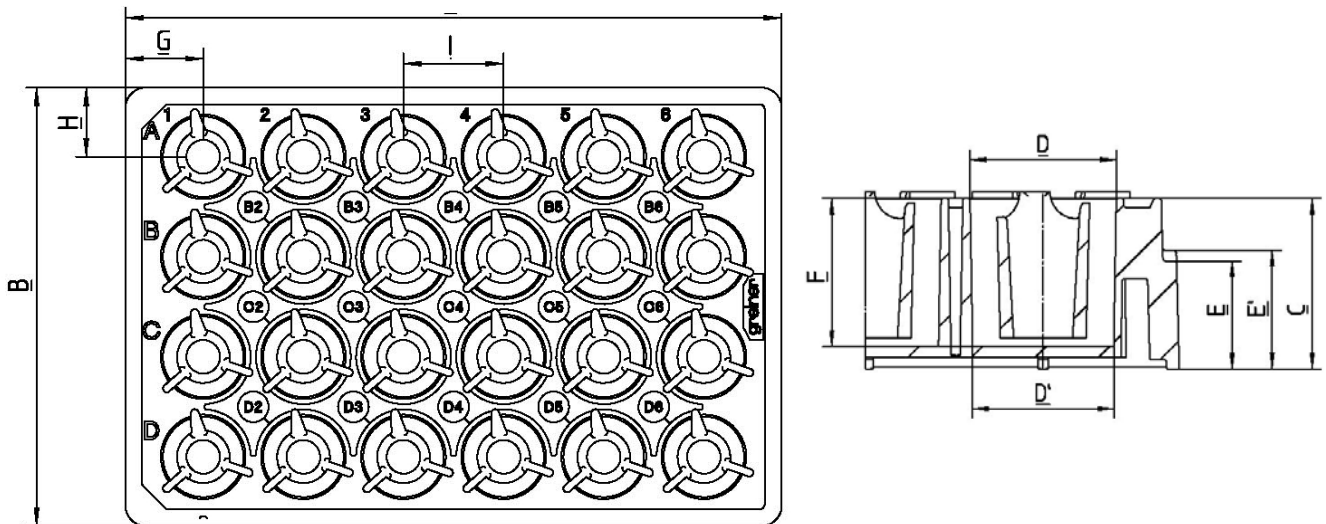


| | | |
|-------------|--|---|
| AC-6626xx | CUSTOMER DRAWING | Page 1 of 3 |
| Revision 02 | ThinCert™ - TC Inserts 24 Well + Multiwell Plate |  |
| | Item-No. 662 6xx | |



NOT TO SCALE




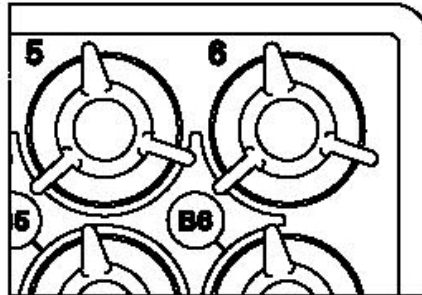
| Cat.-No. | Description | A | B | C | D | D' | E | E' | F | G | H | I |
|----------|---------------|----------------|---------------|----------------|-----------------|----------------|------|------|---------------|-------|------|------|
| 662 610 | 24 well plate | 127.8 ± 0.2 | 85.5 ± 0.2 | 19.0 ± 0.15 | Ø16.28 ± 0.1 | Ø15.7 ± 0.1 | 12.0 | 13.2 | 16.5 ± 0.1 | 15.15 | 13.5 | 19.5 |
| 662 630 | 24 well plate | 127.8 ± 0.2 | 85.5 ± 0.2 | 19.0 ± 0.15 | Ø16.28 ± 0.1 | Ø15.7 ± 0.1 | 12.0 | 13.2 | 16.5 ± 0.1 | 15.15 | 13.5 | 19.5 |
| 662 631 | 24 well plate | 127.8 ± 0.2 | 85.5 ± 0.2 | 19.0 ± 0.15 | Ø16.28 ± 0.1 | Ø15.7 ± 0.1 | 12.0 | 13.2 | 16.5 ± 0.1 | 15.15 | 13.5 | 19.5 |
| 662 638 | 24 well plate | 127.8 ± 0.2 | 85.5 ± 0.2 | 19.0 ± 0.15 | Ø16.28 ± 0.1 | Ø15.7 ± 0.1 | 12.0 | 13.2 | 16.5 ± 0.1 | 15.15 | 13.5 | 19.5 |
| 662 640 | 24 well plate | 127.8 ± 0.2 | 85.5 ± 0.2 | 19.0 ± 0.15 | Ø16.28 ± 0.1 | Ø15.7 ± 0.1 | 12.0 | 13.2 | 16.5 ± 0.1 | 15.15 | 13.5 | 19.5 |
| 662 641 | 24 well plate | 127.8 ± 0.2 | 85.5 ± 0.2 | 19.0 ± 0.15 | Ø16.28 ± 0.1 | Ø15.7 ± 0.1 | 12.0 | 13.2 | 16.5 ± 0.1 | 15.15 | 13.5 | 19.5 |

All dimensions in m

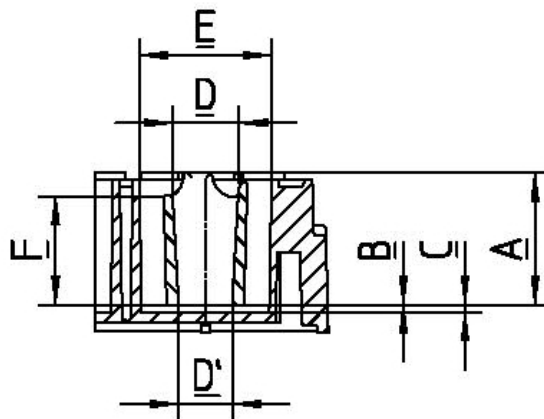
Customer drawing subject to change without notice!

| Prior Issue | Drawn | Approved | Released | CONFIDENTIAL: Information contained in this document or drawing is confidential and proprietary to Greiner Bio-One GmbH. This document may not be reproduced for any reason without written permission from Greiner Bio-One GmbH. All rights of design, invention, and copyright are reserved. |
|-------------------------|------------------------|------------------------|------------------------|---|
| Revision 01 | Date March 06, 2007 | Date March 06, 2007 | Date March 07, 2007 | |
| Date 26 January 2005 | Name F. Falter | Name F. Sonntag | Name F. Sonntag | |
| | | | | |

| | | |
|-------------|--|---|
| AC-6626xx | CUSTOMER DRAWING | Page 2 of 3 |
| Revision 02 | ThinCert™ - TC Inserts 24 Well + Multiwell Plate |  |
| | Item-No. 662 6xx | |



NOT TO SCALE




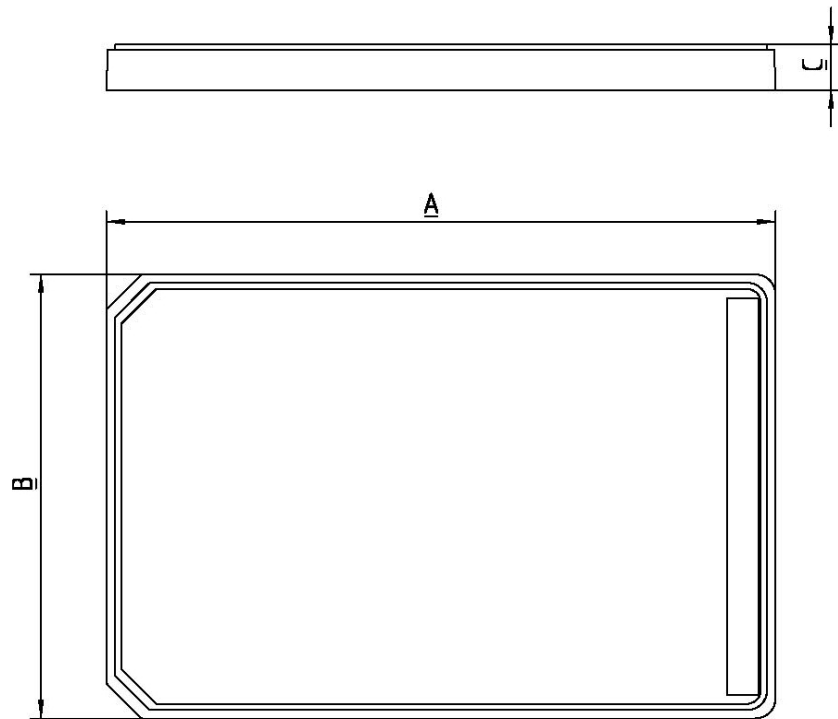
| Cat.-No. | Description | A | B | C | D | D' | E | F |
|----------|-------------|-------|------|------|--------|--------|---------|-------|
| 662 610 | ThinCert™ | 16.22 | 0.03 | 0.94 | Ø 8.36 | Ø 6.54 | Ø 16.28 | 13.41 |
| 662 630 | ThinCert™ | 16.22 | 0.03 | 0.94 | Ø 8.36 | Ø 6.54 | Ø 16.28 | 13.41 |
| 662 631 | ThinCert™ | 16.22 | 0.03 | 0.94 | Ø 8.36 | Ø 6.54 | Ø 16.28 | 13.41 |
| 662 638 | ThinCert™ | 16.22 | 0.03 | 0.94 | Ø 8.36 | Ø 6.54 | Ø 16.28 | 13.41 |
| 662 640 | ThinCert™ | 16.22 | 0.03 | 0.94 | Ø 8.36 | Ø 6.54 | Ø 16.28 | 13.41 |
| 662 641 | ThinCert™ | 16.22 | 0.03 | 0.94 | Ø 8.36 | Ø 6.54 | Ø 16.28 | 13.41 |

All dimensions in mm

Customer drawing subject to change without notice!

| Prior Issue | Drawn | Approved | Released | CONFIDENTIAL: Information contained in this document or drawing is confidential and proprietary to Greiner Bio-One GmbH. This document may not be reproduced for any reason without written permission from Greiner Bio-One GmbH. All rights of design, invention, and copyright are reserved. |
|-------------------------|------------------------|------------------------|------------------------|---|
| Revision 01 | Date March 06, 2007 | Date March 06, 2007 | Date March 07, 2007 | |
| Date 26 January 2005 | Name F. Falter | Name F. Sonntag | Name F. Sonntag | |

| | | |
|-------------|--|---|
| AC-6626xx | CUSTOMER DRAWING | Page 3 of 3 |
| Revision 02 | ThinCert™ - TC Inserts 24 Well + Multiwell Plate Item-No. 662 6xx |  |



NOT TO SCALE

| Cat.-No. | Description | A | B | C |
|----------|-------------|-------|------|-----|
| 662 610 | Lid | 127.4 | 85.1 | 8.8 |
| 662 630 | Lid | 127.4 | 85.1 | 8.8 |
| 662 631 | Lid | 127.4 | 85.1 | 8.8 |
| 662 638 | Lid | 127.4 | 85.1 | 8.8 |
| 662 640 | Lid | 127.4 | 85.1 | 8.8 |
| 662 641 | Lid | 127.4 | 85.1 | 8.8 |

All dimensions in mm

Customer drawing subject to change without notice!

| Prior Issue | Drawn | Approved | Released | CONFIDENTIAL: Information contained in this document or drawing is confidential and proprietary to Greiner Bio-One GmbH. This document may not be reproduced for any reason without written permission from Greiner Bio-One GmbH. All rights of design, invention, and copyright are reserved. |
|-------------------------|------------------------|------------------------|------------------------|--|
| Revision 01 | Date March 06, 2007 | Date March 06, 2007 | Date March 07, 2007 | |
| Date 26 January 2005 | Name F. Falter | Name F. Sonntag | Name F. Sonntag | |