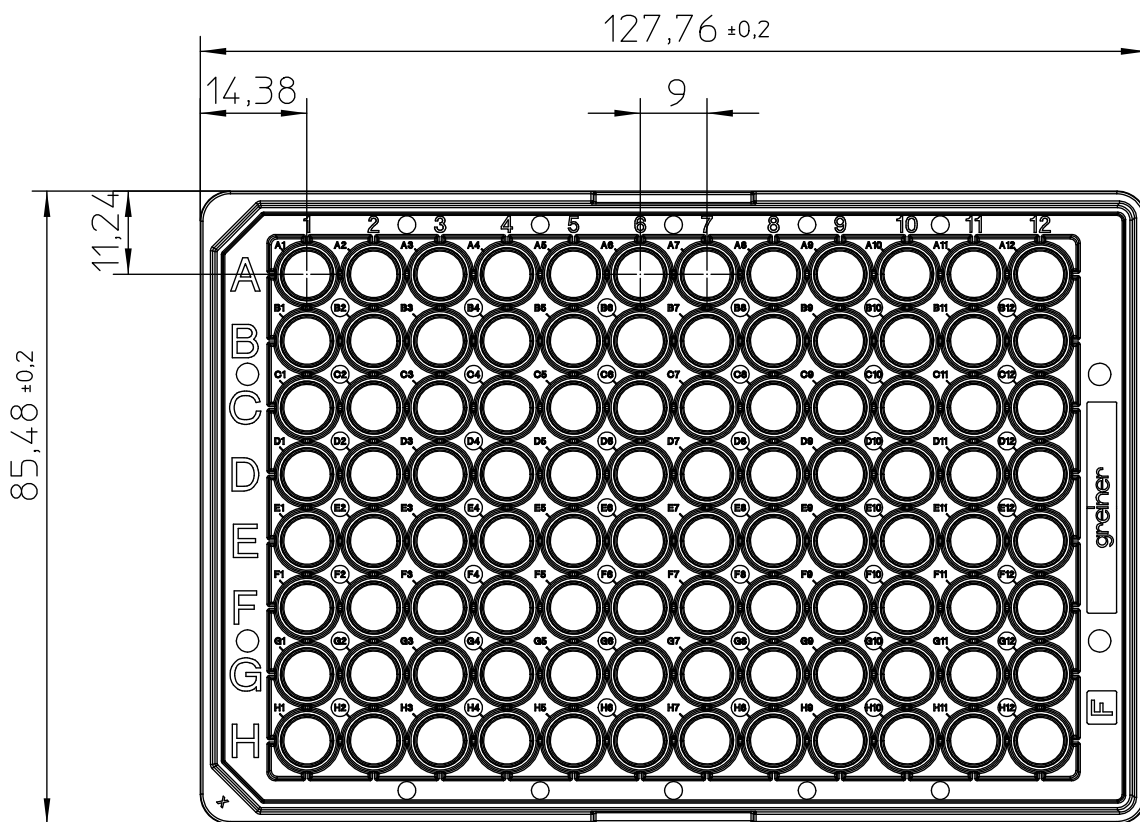
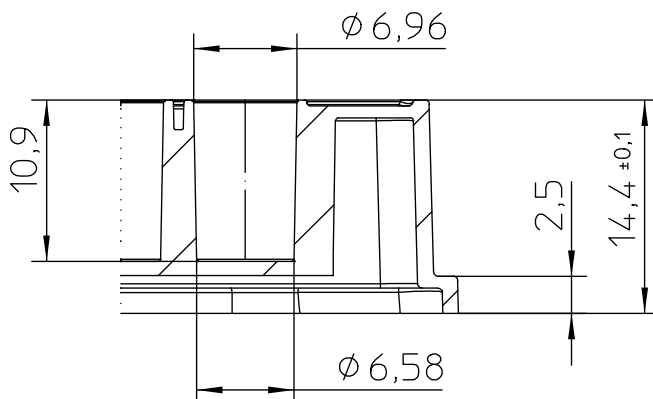
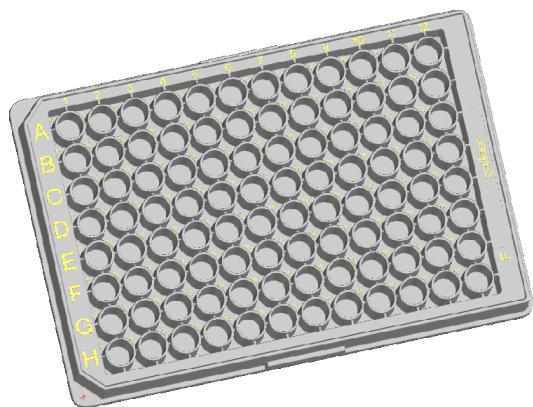


Valid for Item-No.: 655930, 655940, 655950

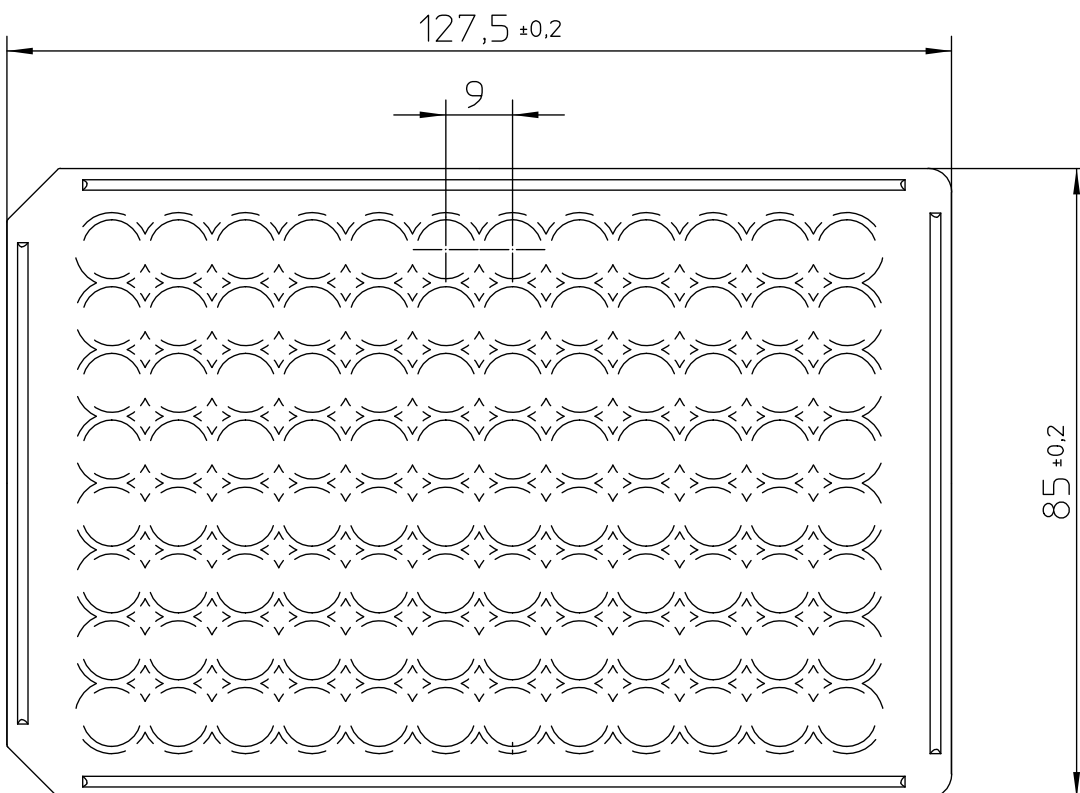
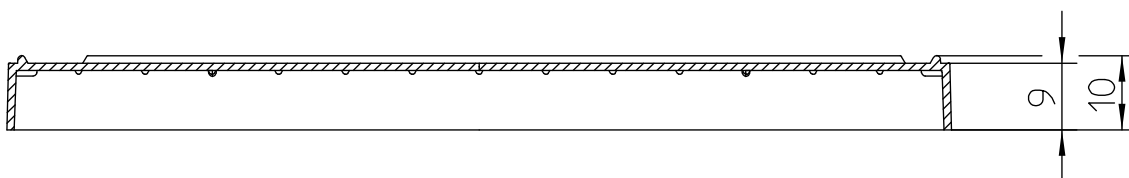


Only layout change, no design change of the product.
Prior drawing No. AC-6559x0/ Rev 03/ February 24, 2010

Customer drawing subject to change without notice!

Prior Issue	Drawn	Approved	Released	CONFIDENTIAL: Information contained in this document or drawing is confidential and proprietary to Greiner Bio-One GmbH. This document may not be reproduced for any reason without written permission from Greiner Bio-One GmbH. All rights of design, invention, and copyright are reserved.
Revision	Date 2011/05/30	Date 2011/05/30	Date 2011/05/30	
Date	Name falter	Name falter	Name sonntag	

Valid for Item-No.: 655930, 655940, 655950



"All dimensions in mm"

Customer drawing subject to change without notice!

Prior Issue	Drawn	Approved	Released	CONFIDENTIAL: Information contained in this document or drawing is confidential and proprietary to Greiner Bio-One GmbH. This document may not be reproduced for any reason without written permission from Greiner Bio-One GmbH. All rights of design, invention, and copyright are reserved.
Revision	Date 2011/05/30	Date 2011/05/30	Date 2011/05/30	
Date	Name falter	Name falter	Name sonntag	