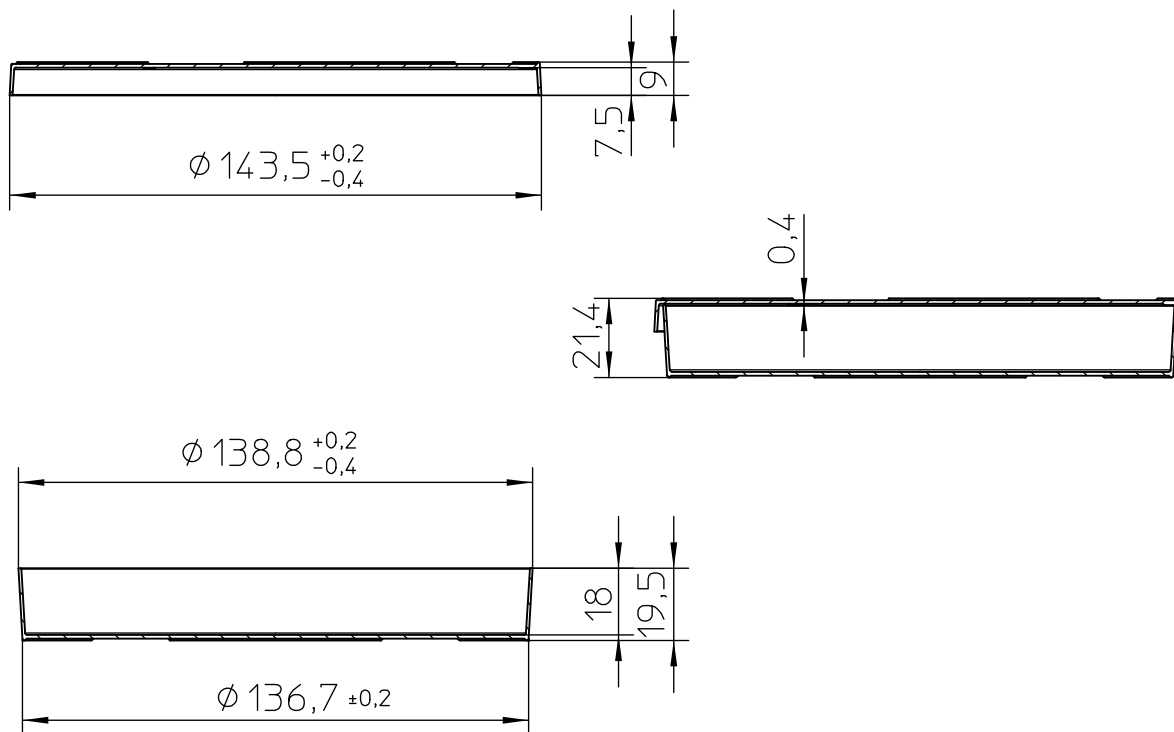
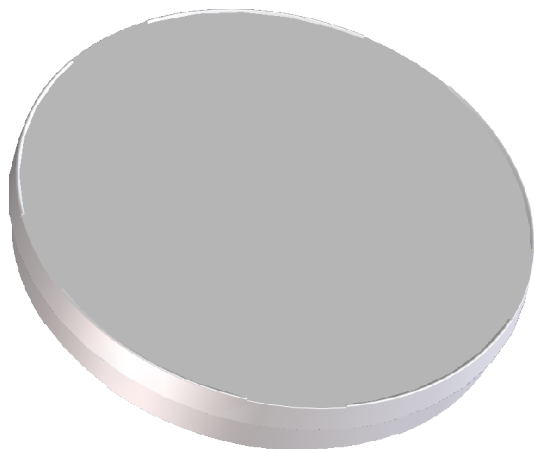




Valid for Item-No.: 639102, 639160, 639161, 639162, 639960



Only layout change, no design change of the product.
 Prior drawing No. AC-6391xx/ Rev 01/ April 21, 2005

"All dimensions in mm"

Customer drawing subject to change without notice!

Prior Issue	Drawn	Approved	Released	CONFIDENTIAL: Information contained in this document or drawing is confidential and proprietary to Greiner Bio-One GmbH. This document may not be reproduced for any reason without written permission from Greiner Bio-One GmbH. All rights of design, invention, and copyright are reserved.
Revision	Date 2011/05/26	Date 2011/05/26	Date 2011/05/26	
Date	Name falter	Name falter	Name sonntag	