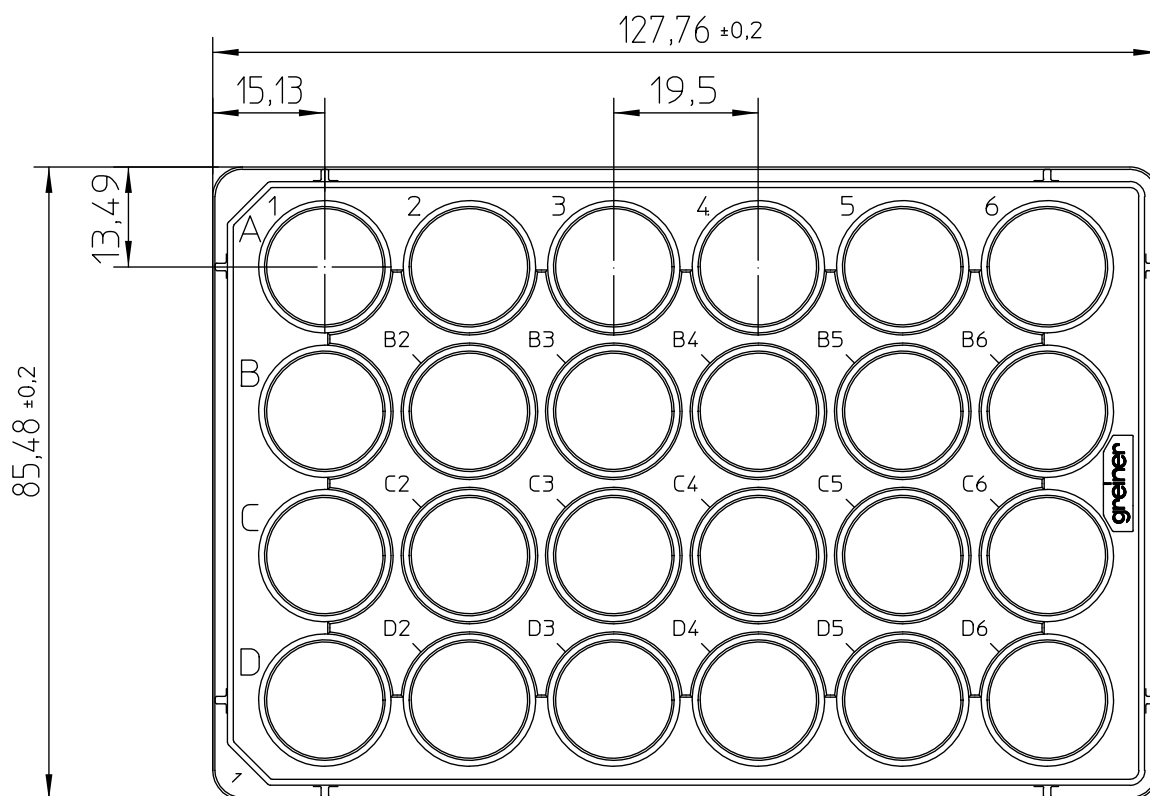
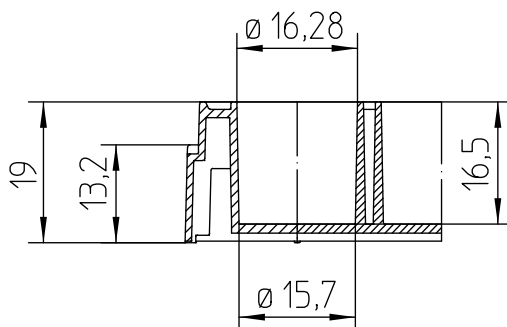




Valid for Item-No.: 662102, 662160, 662850



Only layout change, no design change of the product.
 Prior drawing No. AC-662102/ 662160/ Rev 02/ May 17, 2005
 AC-662850/ Rev 01/ September 2, 2005

"All dimensions in mm"

Customer drawing subject to change without notice!

Prior Issue	Drawn	Approved	Released	CONFIDENTIAL: Information contained in this document or drawing is confidential and proprietary to Greiner Bio-One GmbH. This document may not be reproduced for any reason without written permission from Greiner Bio-One GmbH. All rights of design, invention, and copyright are reserved.
Revision	Date 2011/04/18	Date 2011/04/18	Date 2011/04/18	
Date	Name falter	Name falter	Name sonntag	