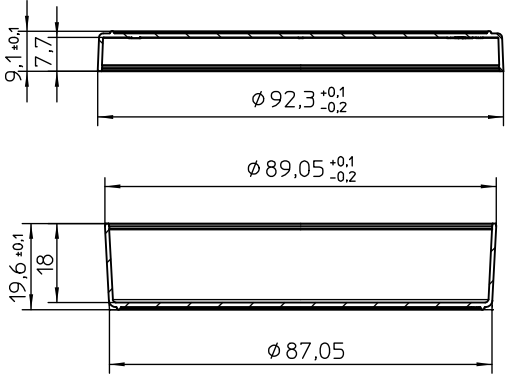
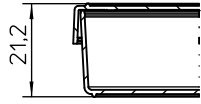


Valid for Item-No.: 664102, 664102-02, 664160, 664161



Only layout change, no design change of the product.  
 Prior drawing No. AC-6641xx/ Rev 02/ November 30, 2010

\*All dimensions in mm\*  
 Customer drawing subject to change without notice!

Prior Issue	Drawn	Approved	Released	CONFIDENTIAL: Information contained in this document or drawing is confidential and proprietary to Greiner Bio-One GmbH. This document may not be reproduced for any reason without written permission from Greiner Bio-One GmbH. All rights of design, invention, and copyright are reserved.
Revision	Date	Date	Date	
	2011/03/07	2011/03/07	2011/03/07	
Date	Name	Name	Name	
	falter	falter	sonntag	