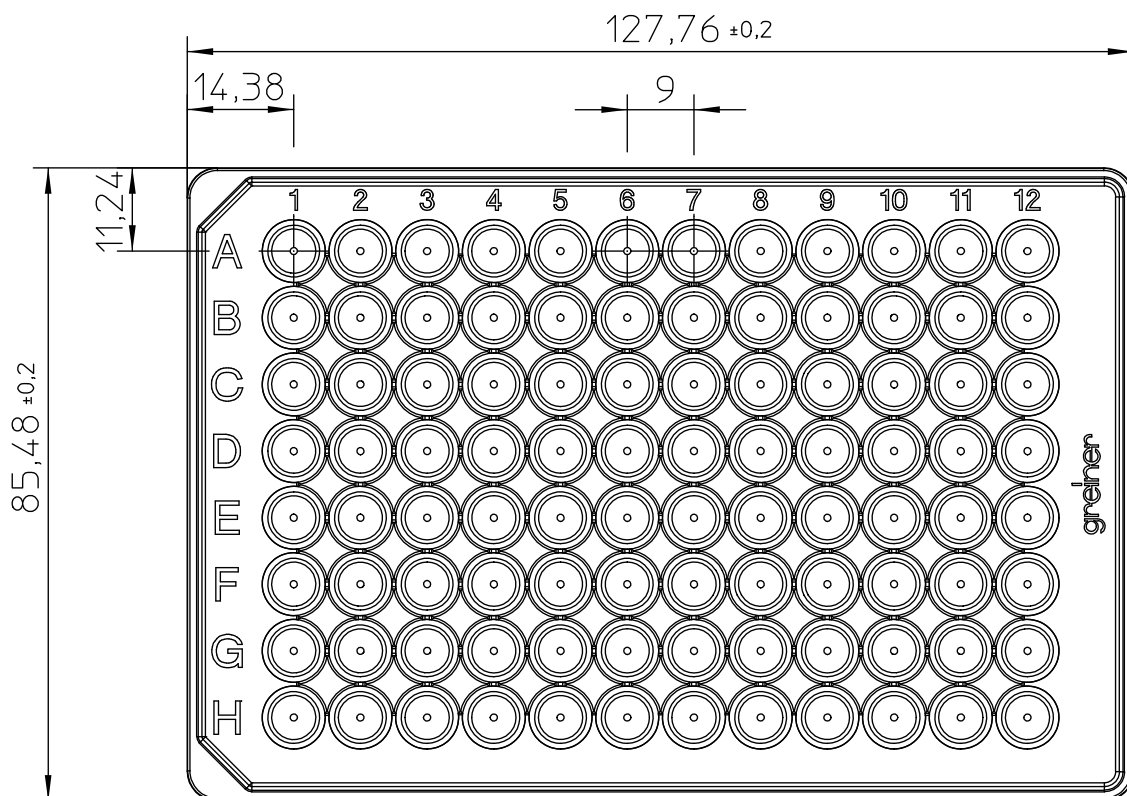
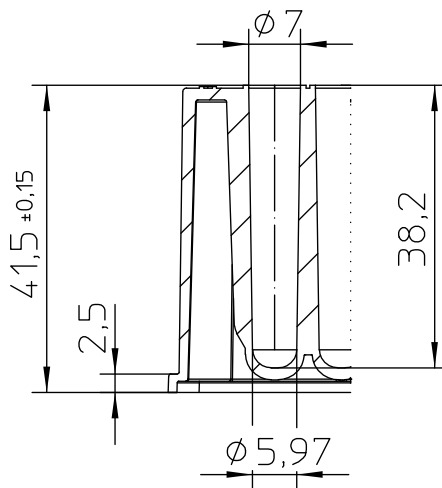
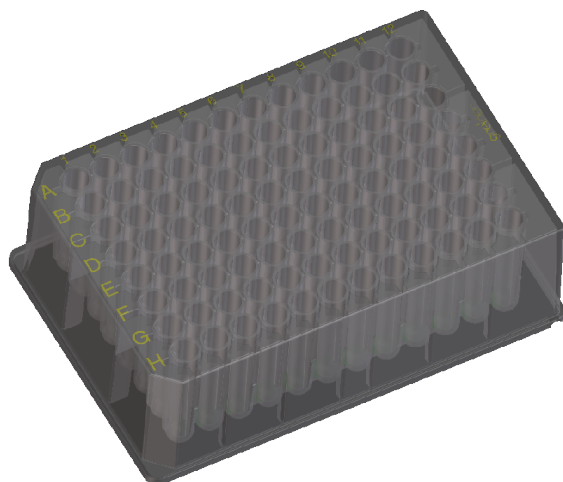


Valid for Item-No.: 780201, 780206, 780210, 780211, 780212, 780215, 780261, 780265, 780203, 780204, 780205, 780263, 780264, 780266



Only layout change, no design change of the product.
Prior drawing No. AC-780020x/780215/78026x/ Rev 01/ October 20, 2004

"All dimensions in mm"

Customer drawing subject to change without notice!

Prior Issue	Drawn	Approved	Released	CONFIDENTIAL: Information contained in this document or drawing is confidential and proprietary to Greiner Bio-One GmbH. This document may not be reproduced for any reason without written permission from Greiner Bio-One GmbH. All rights of design, invention, and copyright are reserved.
Revision	Date 2010/12/17	Date 2011/02/01	Date 2011/02/01	
Date	Name falter	Name falter	Name sonntag	