
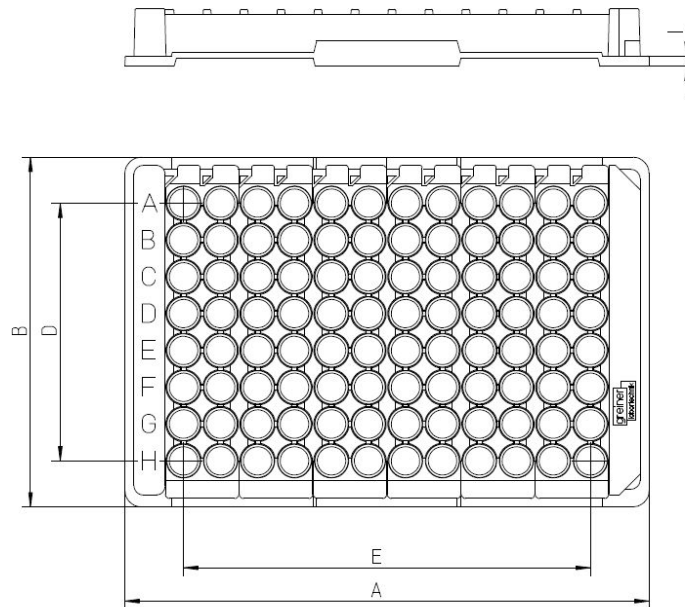
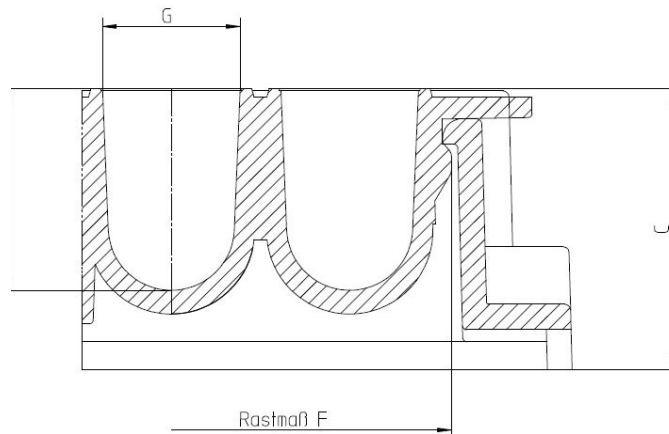


AC - 7540xx	CUSTOMER DRAWING	Page 1 of 1
Revision 01	96 Well ELISA-Plate, PS, 6 x U 16 Strips, U-Bottom	
	Item-No. 754 0xx	



NOT TO SCALE



Cat.-No.	Description	A	B	C	D	E	F	G	H	I
754 061	Strip Plate	127.8 ± 0.2	85.6 ± 0.2	14.2	63.07	99.18	73.35 ± 0.05	Ø 6.95 +0.05/ -0.15	10.2 +0.05/ -0.15	2.5
754 070	Strip Plate	127.8 ± 0.2	85.6 ± 0.2	14.2	63.07	99.18	73.35 ± 0.05	Ø 6.95 +0.05/ -0.15	10.2 +0.05/ -0.15	2.5

All dimensions in mm

Customer drawing subject to change without notice!

Prior Issue	Drawn	Approved	Released	CONFIDENTIAL: Information contained in this document or drawing is confidential and proprietary to Greiner Bio-One GmbH. This document may not be reproduced for any reason without written permission from Greiner Bio-One GmbH. All rights of design, invention, and copyright are reserved.
Revision -	Date March 12, 2007	Date March 12, 2007	Date March 13, 2007	
Date -	Name F. Falter	Name F. Sonntag	Name F. Sonntag	