
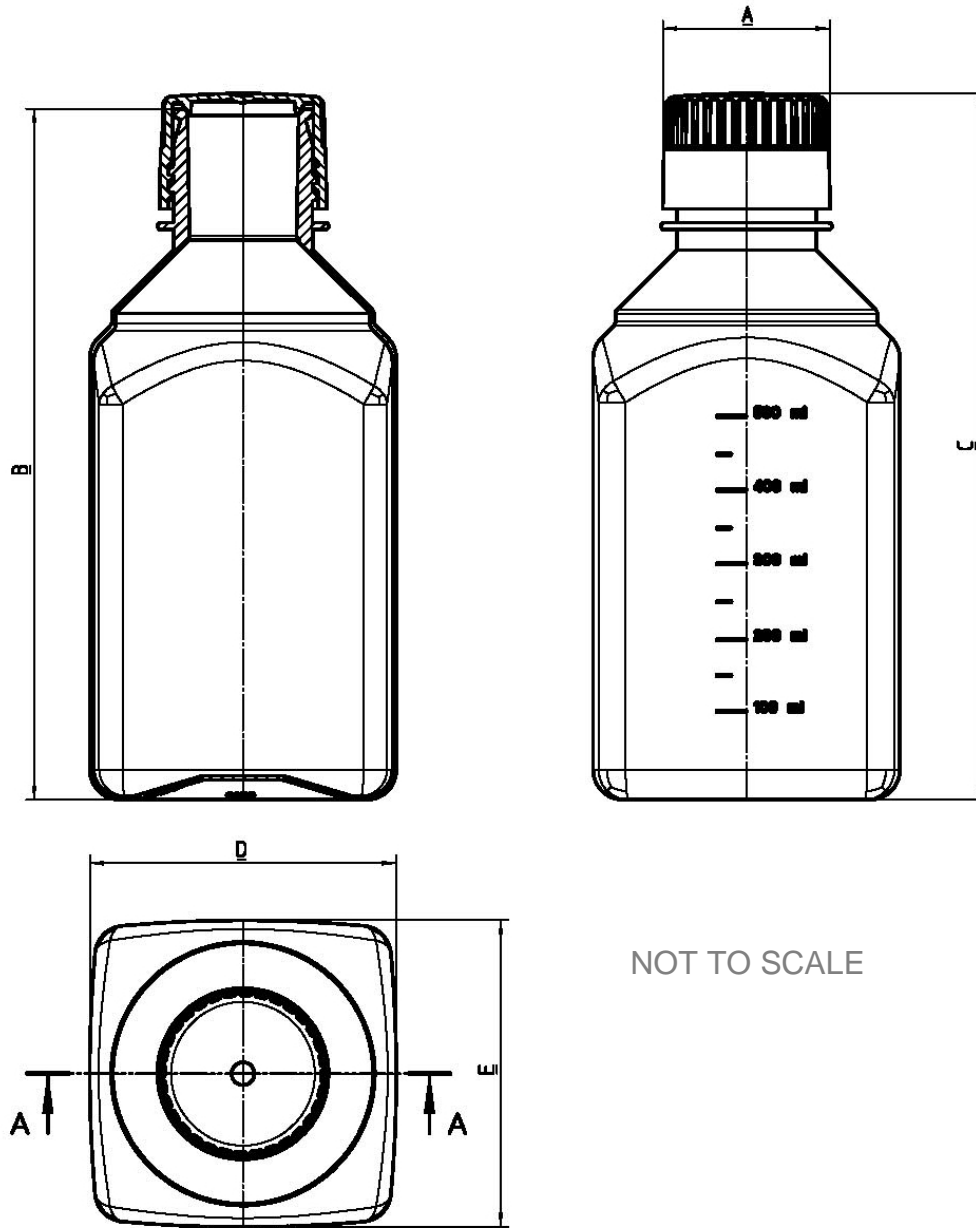


AC- 95xxxx	<b>CUSTOMER DRAWING</b>	Page 1 of 3
Revision 01	Media Bottle with Screw Cap	 <b>greiner bio-one</b>
	Item-No. 950 700 / 951 700 / 952 700	




NOT TO SCALE

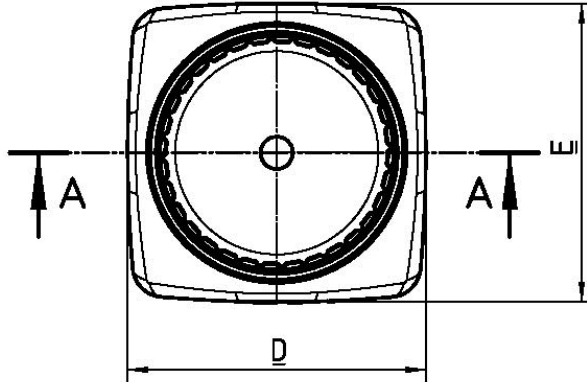
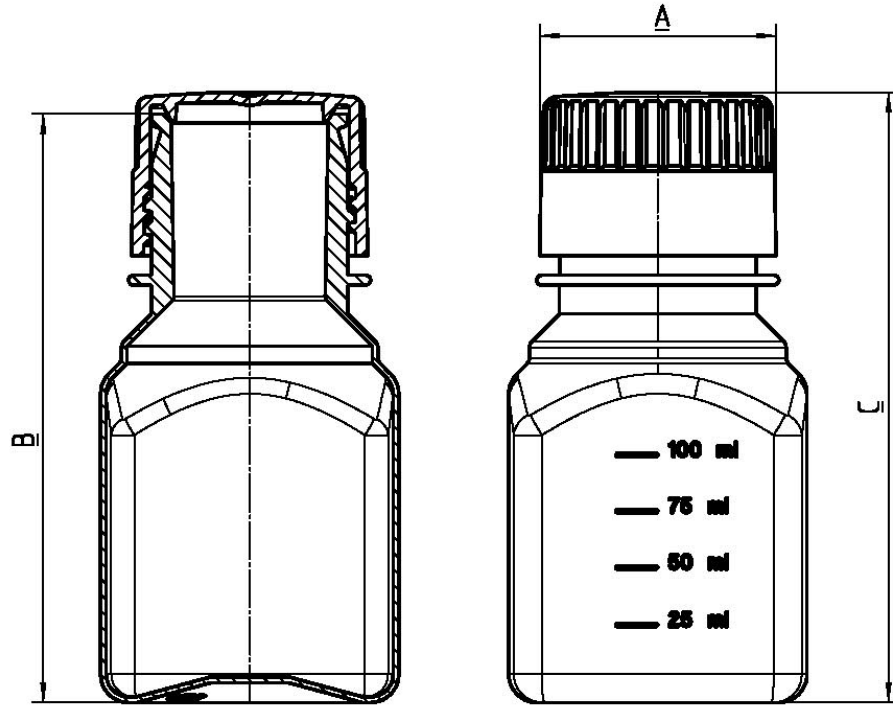
Cat.- No.	Description	A	B	C	D	E
950 700	Media Bottle	Ø 42.0	173.5	177.3	77.0	77.0

All dimensions in mm

Customer drawing subject to change without notice!

Prior Issue	Drawn	Approved	Released	<b>CONFIDENTIAL:</b> Information contained in this document or drawing is confidential and proprietary to Greiner Bio-One GmbH. This document may not be reproduced for any reason without written permission from Greiner Bio-One GmbH. All rights of design, invention, and copyright are reserved.
Revision 01	Date May 17, 2005	Date May 17, 2005	Date May 17, 2005	
Date May 17, 2005	Name F. Falter	Name F. Sonntag	Name F. Sonntag	

AC- 95xxxx	<b>CUSTOMER DRAWING</b>	Page 2 of 3
Revision 01	Media Bottle with Screw Cap	 <b>greiner bio-one</b>
	Item-No. 950 700 / 951 700 / 952 700	




NOT TO SCALE

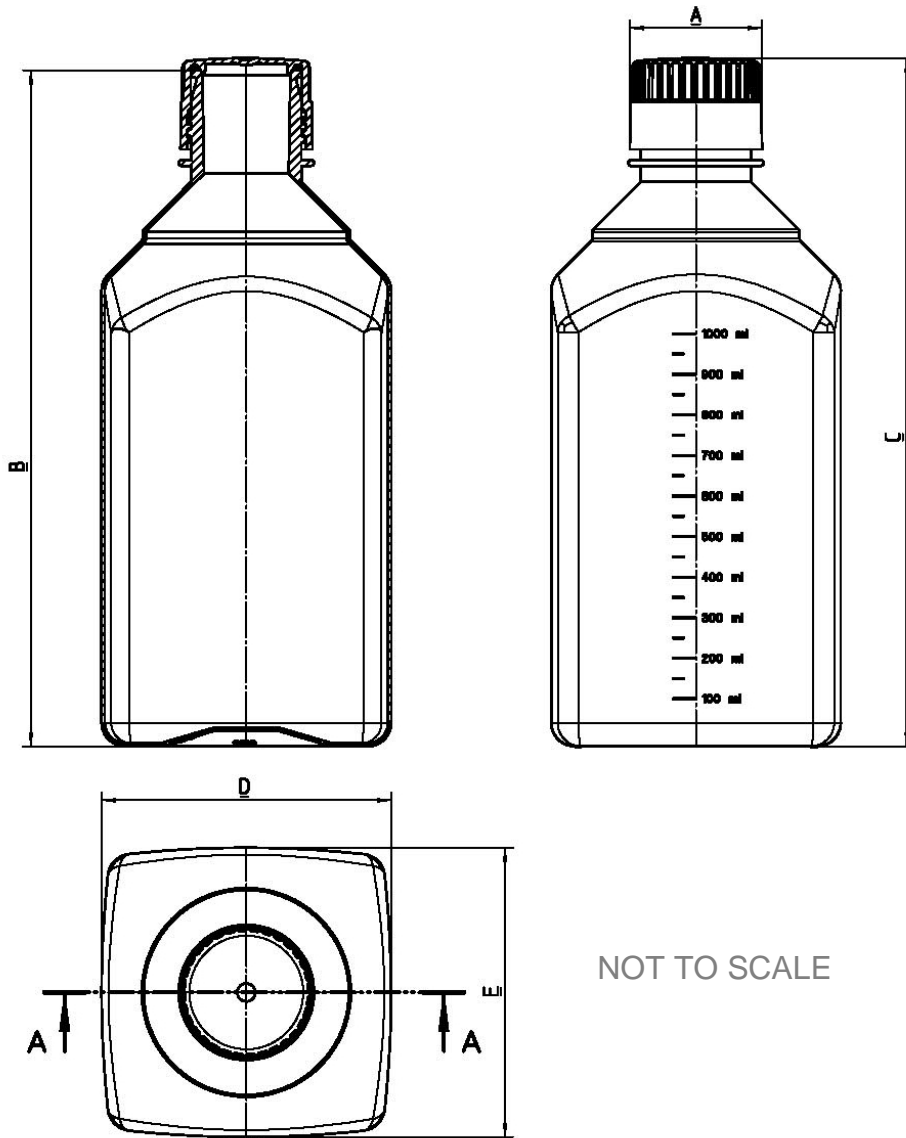
Cat.- No.	Description	A	B	C	D	E
951 700	Media Bottle	Ø 42.0	104.5	108.3	53.0	53.0

All dimensions in mm

Customer drawing subject to change without notice!

Prior Issue	Drawn	Approved	Released	<b>CONFIDENTIAL:</b> Information contained in this document or drawing is confidential and proprietary to Greiner Bio-One GmbH. This document may not be reproduced for any reason without written permission from Greiner Bio-One GmbH. All rights of design, invention, and copyright are reserved.
Revision 01	Date May 17, 2005	Date May 17, 2005	Date May 17, 2005	
Date May 17, 2005	Name F. Falter	Name F. Sonntag	Name F. Sonntag	

AC- 95xxxx	<b>CUSTOMER DRAWING</b>	Page 3 of 3
Revision 01	Media Bottle with Screw Cap	 <b>greiner bio-one</b>
	Item-No. 950 700 / 951 700 / 952 700	



Cat.- No.	Description	A	B	C	D	E
952 700	Media Bottle	Ø 42.0	215.0	218.8	92.0	92.0

All dimensions in mm

Customer drawing subject to change without notice!

Prior Issue	Drawn	Approved	Released	CONFIDENTIAL: Information contained in this document or drawing is confidential and proprietary to Greiner Bio-One GmbH. This document may not be reproduced for any reason without written permission from Greiner Bio-One GmbH. All rights of design, invention, and copyright are reserved.
Revision 01	Date May 17, 2005	Date May 17, 2005	Date May 17, 2005	
Date May 17, 2005	Name F. Falter	Name F. Sonntag	Name F. Sonntag	